

Features & Benefits

- Available in 500, 750, and 1000 GPM ratings.
- Pressures up to 640 PSI.
- In compliance with NFPA #20, UL, ULC, FM, and ANSI.
- Performance and hydrostatic tests.
- Dynamic balance impellers.
- Space saving design.
- Easy maintenance and upkeep.
- Available in electric or diesel engine driven models.
- Standard construction: cast iron, bronze fitted.
- Packed stuff box.
- Grease lubrication.
- Designed for low horsepower requirements.
- Available in 50 or 60 cycle.



The **8200 Series High Pressure Fire Pump** is designed to provide water to stand pipe, sprinkler, chemical mitigation, and hydrant systems for fire suppression in industrial and commercial facilities specifically for high rise applications.

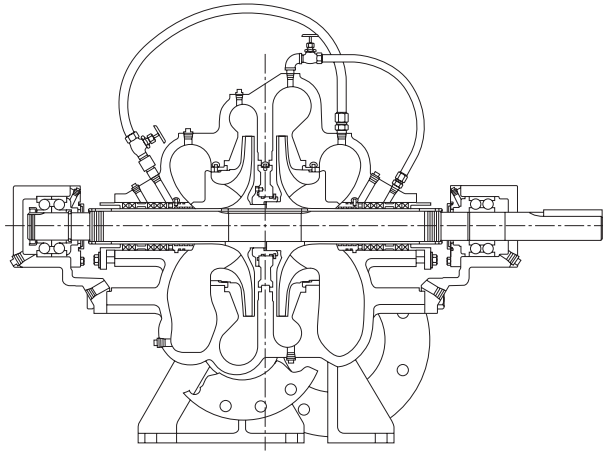
Fire Pumps Series 8200

TWO STAGE
HIGH PRESSURE

ACFP 8200-05

AC FIRE
PUMP
a xylem brand

Series 8200



Part Name	Material
Wetted Pipe Plugs	Brass
Seal Cage	PTFE
Gland Assembly	Bronze (ASTM B584 Alloy 953)
Interstage Bushing	Bronze
Packing	Graphite
Bleed Piping Line	Copper
Flush Piping Line	Copper
Casing Assembly	Cast Iron (ASTM A48 Class 35A) / Ductile Iron (ASTM A536 Grade 65-45-12)
Interstage Diaphragm	Ductile Iron (ASTM A536 Grade 65-45-12)
Casing Ring	Bronze (ASTM B584 Alloy 932)
Shaft	Steel (SAE 4140)
Stuffbox Bushing	Bronze (ASTM B584 Alloy 932)
Shaft Sleeve	Bronze (ASTM B584 Alloy 932) / 316 Stainless Steel
Shaft Sleeve Nut	Bronze (ASTM B584 Alloy 932) / Nitronic 60
Bearing Cap (Inboard)	Cast Iron (ASTM A48 Class 25A)
Bearing Cap (Outboard)	Cast Iron (ASTM A48 Class 25A)
Deflector	Rubber
Bearing Housing (Inboard)	Cast Iron (ASTM A48 Class 25A)
Bearing Housing (Outboard)	Cast Iron (ASTM A48 Class 25A)
Ball Bearing (Inboard) (5311)	Hardened Steel
Ball Bearing (Outboard) (7311BG)	Hardened Steel
Lip Seal – Bearing Cap	Rubber (BUNA “N”)
O-Rings	Rubber (BUNA “N”)
Anti-Rotation Pins	302 Stainless Steel
Impellers	Bronze (ASTM B584 Alloy 875)

Pump Size	Flow (GPM)	Pressure Range (PSI)	Speed (RPM)
8x6x14F-S	500	282-641	3550
8x6x14F-S	500	197-450	3000
8x6x14F-S	500	193-438	2960
8x6x14F-S	500	144-331	2600
8x6x14F-S	500	113-268	2350
8x6x14F-S	500	73-141	1785
8x6x14F-L	500	305-513	3550
8x6x14F-L	500	216-487	3000
8x6x14F-L	500	210-474	2960
8x6x14F-L	500	160-364	2600
8x6x14F-L	500	129-295	2350
8x6x14F-L	500	68-166	1785
8x6x18F	500	274-478	2350
8x6x18F	500	215-378	2100
8x6x18F	500	152-268	1785
8x6x18F	500	102-183	1485
8x6x14F-S	750	259-601	3550
8x6x14F-S	750	174-412	3000
8x6x14F-S	750	169-399	2960
8x6x14F-S	750	154-295	2600
8x6x14F-L	750	290-502	3550
8x6x14F-L	750	200-476	3000
8x6x14F-L	750	195-464	2960
8x6x14F-L	750	143-352	2600
8x6x14F-L	750	138-281	2350
8x6x14F-L	750	109-154	1785
8x6x18F	750	258-461	2350
8x6x18F	750	201-364	2100
8x6x18F	750	139-256	1785
8x6x18F	750	89-170	1485
8x6x14F-L	1000	220-458	3000
8x6x14F-L	1000	214-446	2960
8x6x14F-L	1000	203-334	2600
8x6x14F-L	1000	188-264	2350
8x6x18F	1000	240-443	2350
8x6x18F	1000	183-346	2100
8x6x18F	1000	169-268	1785



Xylem Inc.
 8200 N. Austin Avenue
 Morton Grove, Illinois 60053
 Phone: (847) 966-3700
 Fax: (847) 965-8379
www.xylem.com/brands/acfirepump

Xylem Applied Water Systems
 a division of Xylem Canada Company
 55 Royal Road, Guelph, Ontario
 N1H 1T1, Canada
 Phone: (519) 821-1900
 Fax: (519) 821-5316