

JOB: _____ **REPRESENTATIVE:** _____

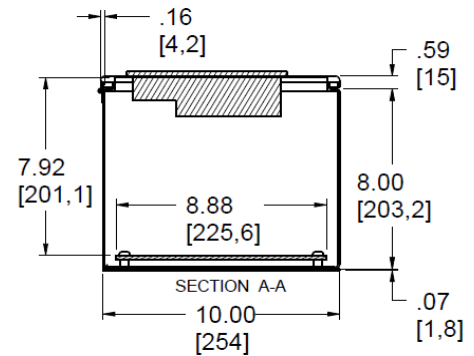
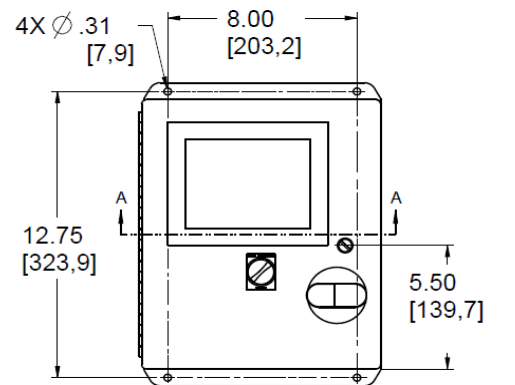
UNIT TAG: _____ **ORDER NO.:** _____ **DATE:** _____

ENGINEER: _____ **SUBMITTED BY:** _____ **DATE:** _____

CONTRACTOR: _____ **APPROVED BY:** _____ **DATE:** _____



Technologic® PPS Parallel Pumping Controller



All dimensions are in inches and [millimeters]

STANDARD FEATURES	
CONTROL METHOD	Constant Pressure, Control Curve from Linear to Quadratic. Factory or Field configured for sensorless operation standard. Optional configuration with a wired transducer if needed.
NO. OF PUMPS	_____ Up to 8 Pumps
DISPLAY	5.7 inch - Touchscreen - Graphical display of curves; Real-time performance display (System, Control, Pump trim curves)
PANEL APPROVAL	UL 778, CSA C22.2 No.108 standard listed by ETL
ENCLOSURE	UL Type 12 cabinet; IP65 controller (front)
POWER DISCONNECT SWITCH	Included standard within controller; dedicated power supply within controller not requiring power from Technologic IPC.
AMBIENT TEMPERATURE RATING	32°F to 120°F (0°C to 50° C)
COMMUNICATION PROTOCOLS	Modbus, BacNet / MSTP / IP, Metasys
INTERFACES	1 X2X Link interface 1 POWERLINK interface – RJ45 1 Ethernet interface 10BASE-T/100BASE-TX, 2 USB 2.0 ports 2 RS485 Ports
MEMORY	256 MB DDRAM 2 GB flash drive onboard

Control Panel Description	Part Number
Control Panel 120V	P2003605
Control Panel 208/230V	P2003606
Control Panel 460V	P2003607
Control Panel 575V	P2003608