

## Installation and Operation Instruction

The **FlowCon EVS** is a plug-in insert used with three different FlowCon valve housings:

- ① FlowCon A DN15-25 (1/2"-1")
- ② FlowCon AB DN15-25 (1/2"-1")
- ③ FlowCon ABV DN15-25 (1/2"-1")

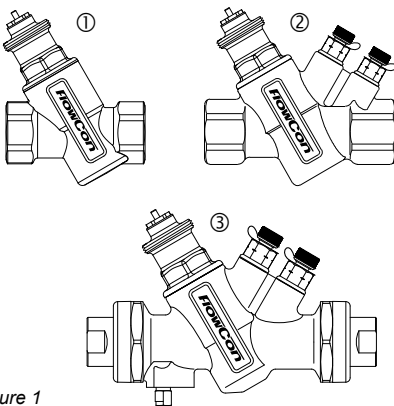


Figure 1

### Insert Setting and Installation

Prior to installing the FlowCon EVS in the valve housing, the system should be properly flushed. Blank valve covers are available to be installed during flushing.

It is recommended to grease the O-rings located around the EVS with silicone grease before installing the EVS in the valve housing. It is not necessary to grease – but will not harm if done – the stainless steel insert's O-ring.

When fitting the factory pre-set stainless steel insert (SS-insert) into the EVS, first place the SS-insert's O-ring on the inside groove of the EVS BEFORE fitting the SS-insert. Hereafter push the SS-insert into the EVS with a hard push. Once in fully, the SS-insert is correctly fitted and the lock ring is screwed on tight. The lock ring will hold

the SS-insert in proper position during operation. Now install the EVS in the valve housing. In case of design change, the SS-insert can be removed from the EVS by unscrewing the lock ring and pulling the SS-insert out. The SS-insert's O-ring will also come out. Place a new O-ring and fit the new SS-insert as described above.

- A: FlowCon EVS-insert
- B: Inside groove
- C: Stainless steel insert's O-ring
- D: Stainless steel insert
- E: FlowCon EVS lock ring.

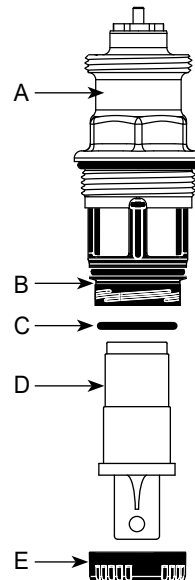


Figure 2

Once the EVS incl. SS-insert is properly fitted in the valve housing, the required actuator may be applied. Please see specific installation instruction for selected actuator.

**General Assembly Drawing**  
**FlowCon EVS**  
**in ABV1 housing**

- A: Valve housing
- B1: Stainless steel insert
- B2: O-ring
- C: Adjustment key
- D1: P/t plug (2 pcs.)
- D2: Plugs (2 of each)
- E: Union end connections
- F1: FlowCon Actuator incl. adaptor ring (F2)
- G1: FlowCon EVS insert
- G2: FlowCon EVS logging insert.

**Flow Rate Table**

l/sec	l/hr	GPM	Type 1	Type 2	Type 4
			10-95 kPaD	22-210 kPaD	40-390 kPaD
0.0210	75.7	0.333	F360111		
0.0315	114	0.500	F360101		
0.0347	125	0.550		F360211	
0.0421	151	0.667	F360102		
0.0473	170	0.750		F360201	F360411
0.0631	227	1.00	F360103	F360202	F360401
0.0694	250	1.10			
0.0841	303	1.33	F360104		F360402
0.0946	341	1.50		F360203	
0.105	379	1.67	F360105		
0.126	454	2.00	F360106	F360204	F360403
0.147	530	2.33	F360107		
0.158	568	2.50		F360205	
0.168	606	2.67	F360108		F360404
0.189	681	3.00		F360206	
0.210	757	3.33	F360110		F360405
0.221	795	3.50		F360207	
0.252	908	4.00	F360112	F360208	F360406
0.294	1060	4.67	F360114		F360407
0.315	1140	5.00	F360116	F360210	
0.336	1210	5.33			F360408
0.379	1360	6.00		F360212	
0.421	1510	6.67			F360410
0.442	1590	7.00		F360214	
0.505	1820	8.00		F360216	F360412
0.589	2120	9.33			F360414
0.631	2270	10.0			F360416
0.757	2730	12.0			
0.883	3180	14.0			
1.01	3630	16.0			

Accuracy ±5%

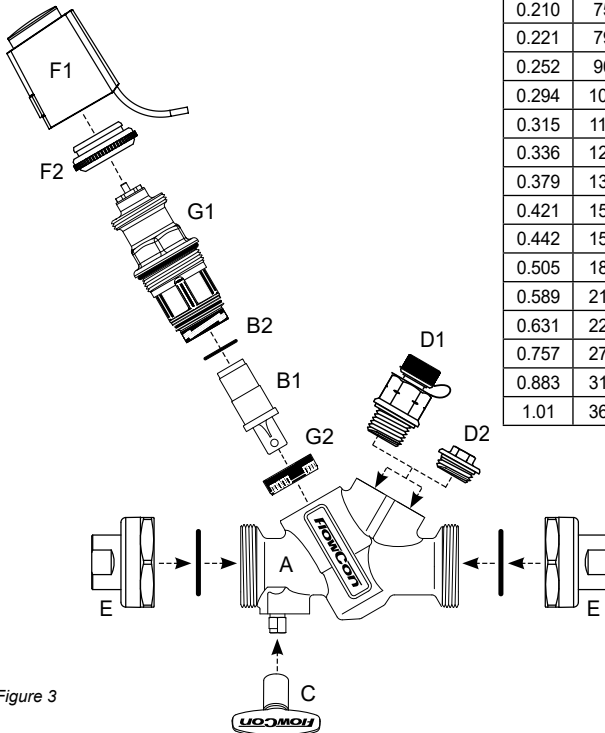


Figure 3

FlowCon International assumes no responsibility for mistakes, if any, in any printed material.