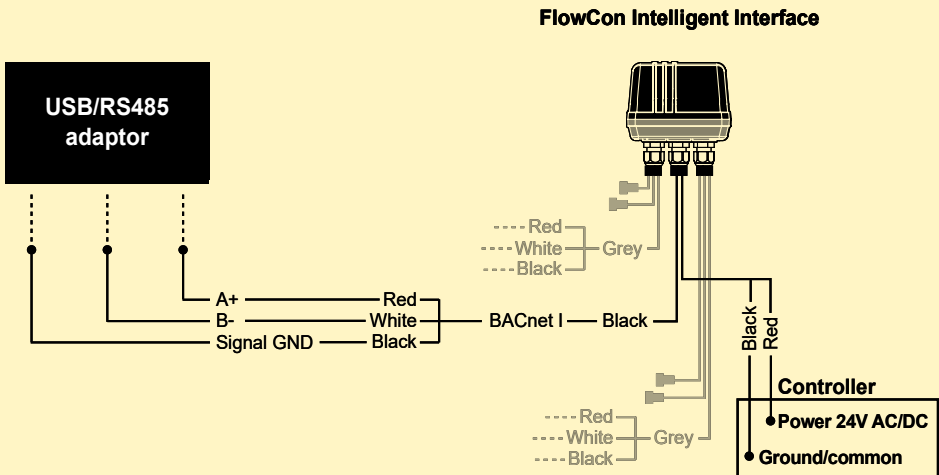


## Quick Start-Up Sequence

FlowCon recommends performing first start-up sequence of the **FlowCon Intelligent Interface** locally in the equipment room before installing the FlowCon Intelligent Interface in the system. All you need is a **PC** and an **adaptor** (e.g. a USB to RS485 half-duplex without Echo,

120Ω termination) and a **power supply** to set 3 basic parameters for the FlowCon FIT System to communication with the BMS. The rest of the FlowCon FIT System (PICV valve incl. actuator and sensors) can easily and if required be installed beforehand.



❶ Connect the 3 wires from the USB/RS485 adaptor to the black BACnet I cable of the FlowCon Intelligent Interface (middle gland).

❷ Connect 24V AC/DC and GND and turn on power (middle gland).

❸ From your BACnet interface program (e.g. YABE) connect to the Intelligent Interface and select parameters (default values are underlined):

- **MSV.1 Baud Rate:** 9600, 19200, 38400, 57600, 76800 or 115200
- **MSV.2 MS/TP MAC Address:** 000-127 and
- **MSV.5 FIT Configuration:** 1 (SM.0.0.0.6), 2 (SM.0.0.0.3/4), 3 (FN/FH actuator without

pressure sensors) or 4 (FN/FH actuator with pressure sensors). Setting should be according to system values and FlowCon instruction variables. Finally, label or in other way mark each FlowCon Intelligent Interface to specific location and identification in the project.

❹ Please wait 60 sec before switching power off to allow versatile memory to receive the MSV-changes. **The MSV-changes will be implemented when the Intelligent Interface is re-powered.**

After installing and wiring each FlowCon Intelligent Interface according to the wiring diagram at their specific location together with the rest of the FIT System equipment, all communication including other parameter settings in the FlowCon Intelligent Interface and FlowCon PICV BACnet actuator (SM.0.0.0.6) will be through the black BACnet I connecting BMS and FlowCon Intelligent Interface. If using a standard actuator (SM.0.0.0.3/4, FN.0.2 or FH/FH.1) without BACnet, BACnet communication will be between BMS and FlowCon Intelligent Interface.

**Please see FlowCon FIT BACnet PICS document for object default value and object setting list.**