

Installation and Operation Instruction

The **FlowCon Green.3** valve is female/female threaded and comes in two different sizes:

- FlowCon Green.3 DN40 (1½")
- FlowCon Green.3 DN50 (2")

IMPORTANT: Do not disassemble. The FlowCon Green.3 is built as a complete valve and only trained FlowCon personnel can perform repair. Unauthorized disassembly may result in calibration defects or damaged part and will void warranty.

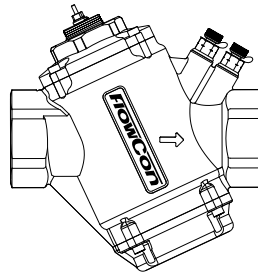


Figure 1

General Assembly Drawing FlowCon Green.3

- A: Valve housing
B: FlowCon actuator
C1: P/t plug (2 pcs.)
C2: Plug (2 pcs.)
D: Adjustment key.

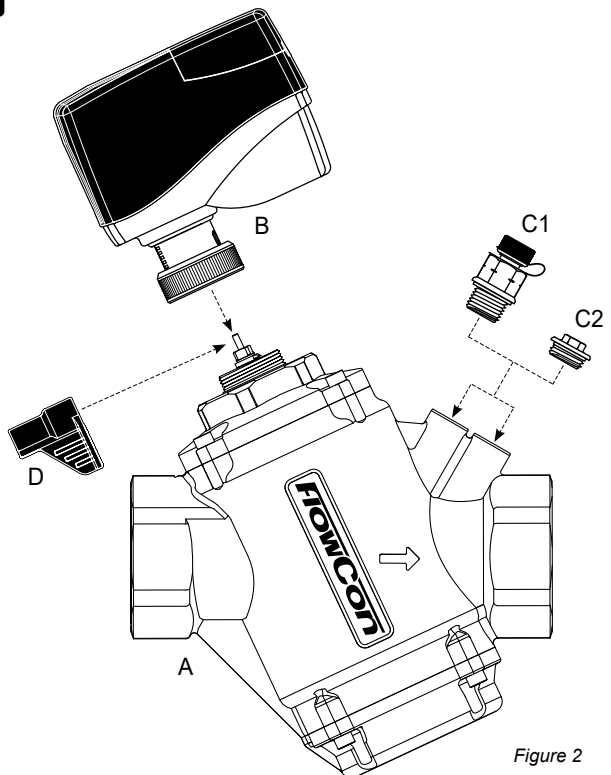


Figure 2

Setting and Installation

Prior to installing the FlowCon Green.3 (supplied from factory in setting 4.5 due to calibration), the system should be properly flushed. If it is not possible to flush the system before Green.3 installation, please make sure to adjust setting to 5.0 (clockwise turning) and then flush.

The desired flow rate is hereafter set by adjusting the valve (turn counter-clockwise to setting 1.0 and then clockwise up) with a special adjustment key (i.e. figure 3/4). **Range is between 1.0 and 5.0.** ⚠ **Do not overturn.** Scale setting is located on top of the valve numbered 1 to 5 including in-between positions indicated by dots (one dot for every 0.1 position). The specific position is defined by an indication mark on top of the housing. Once flow is set, the required actuator may be applied. Please see specific installation instruction for selected actuator.

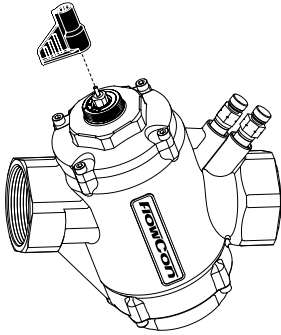


Figure 3

A micrometer setting of 3.4 as illustrated in figure 4 corresponds to a maximum flow rate of: 2.86 l/sec (45.4 GPM).

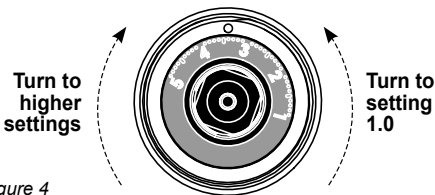


Figure 4

FlowCon Green.3			Setting	
16-600 kPaD · 2.3-87 psid				
Nominal flow rate	l/sec	l/hr	GPM	
	0.528	1900	8.36	1.0
	0.633	2280	10.0	1.1
	0.738	2660	11.7	1.2
	0.843	3030	13.3	1.3
	0.947	3410	15.0	1.4
	1.05	3790	16.7	1.5
	1.16	4160	18.3	1.6
	1.26	4540	20.0	1.7
	1.36	4910	21.6	1.8
	1.47	5280	23.2	1.9
	1.57	5650	24.8	2.0
	1.67	6010	26.4	2.1
	1.77	6370	28.0	2.2
	1.87	6730	29.6	2.3
	1.97	7080	31.2	2.4
	2.06	7430	32.7	2.5
	2.16	7780	34.2	2.6
	2.25	8120	35.7	2.7
	2.35	8450	37.2	2.8
	2.44	8780	38.6	2.9
	2.53	9100	40.0	3.0
	2.61	9410	41.4	3.1
	2.70	9720	42.8	3.2
	2.78	10000	44.1	3.3
	2.86	10300	45.4	3.4
	2.94	10600	46.6	3.5
	3.02	10900	47.8	3.6
	3.10	11100	49.0	3.7
3.17	11400	50.2	3.8	
3.24	11600	51.3	3.9	
3.30	11900	52.3	4.0	
3.37	12100	53.3	4.1	
3.43	12300	54.3	4.2	
3.48	12500	55.2	4.3	
3.54	12700	56.0	4.4	
3.59	12900	56.8	4.5	
3.64	13100	57.6	4.6	
3.68	13200	58.3	4.7	
3.72	13400	58.9	4.8	
3.76	13500	59.5	4.9	
3.79	13600	60.0	5.0	

Accuracy: Greatest of either ±10% of controlled flow rate or ±5% of maximum flow rate.

FlowCon International assumes no responsibility for mistakes, if any, in any printed material.